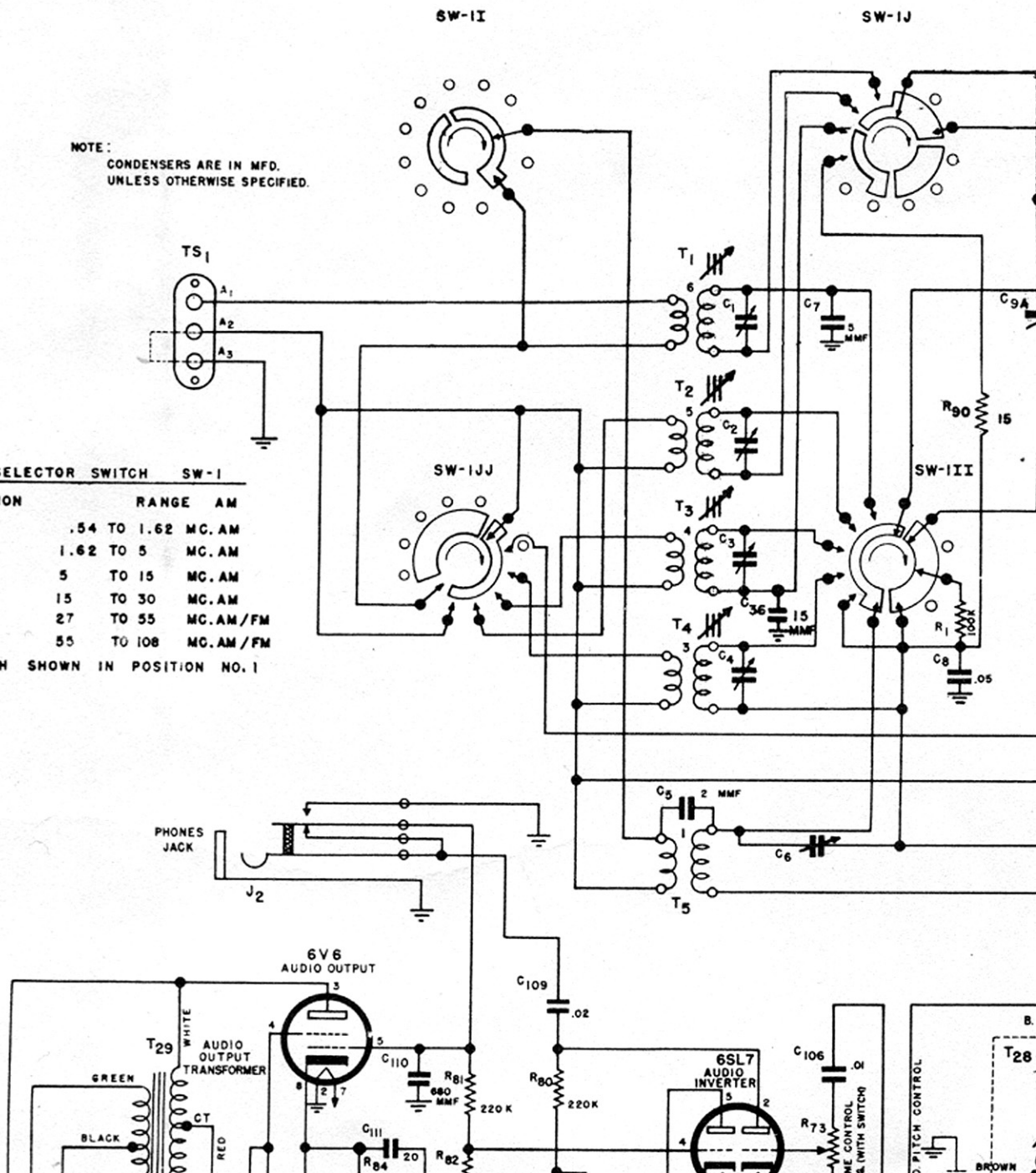


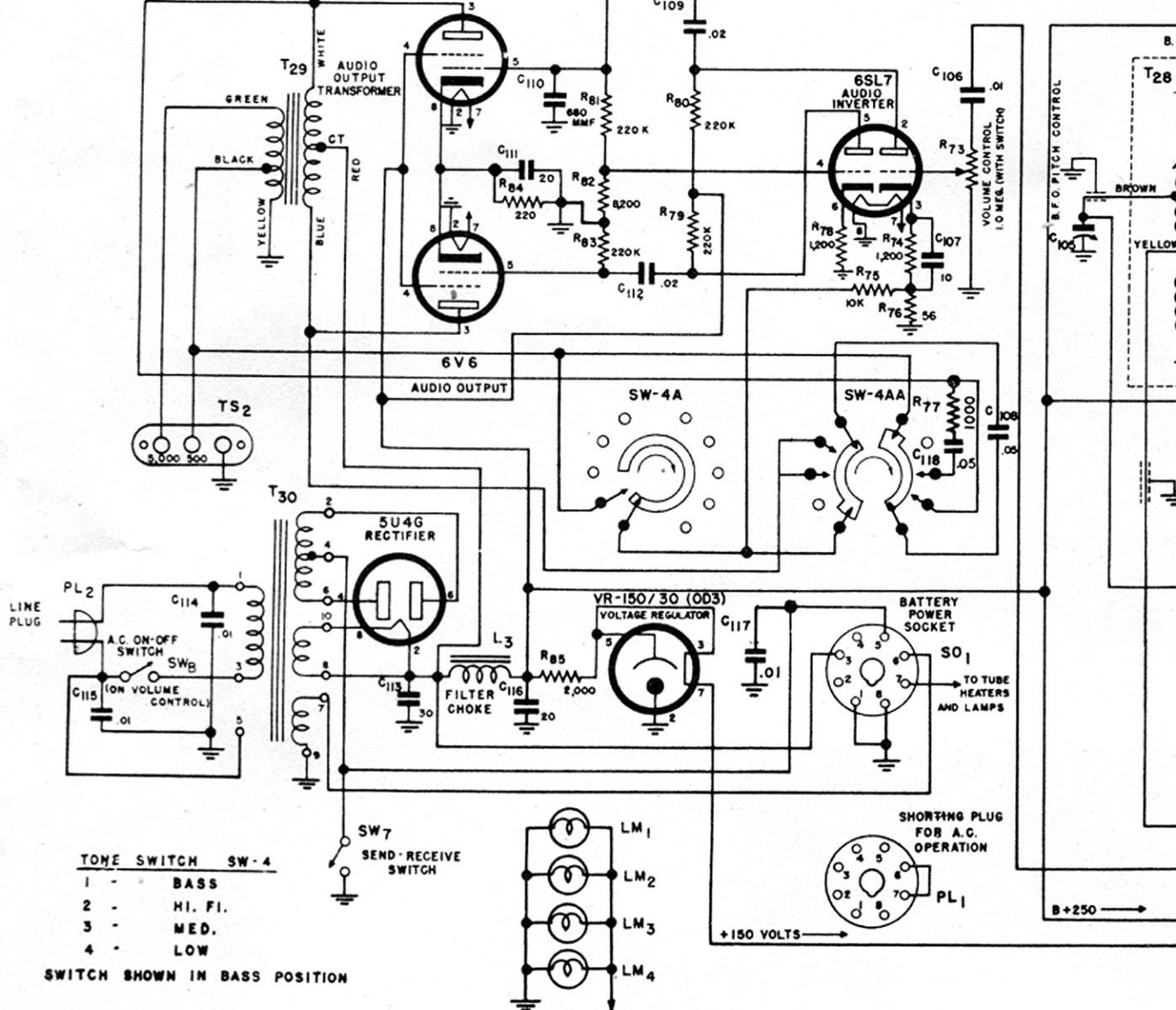
UPPER LEFT

NOTE:
CONDENSERS ARE IN MFD.
UNLESS OTHERWISE SPECIFIED.

BAND SELECTOR SWITCH SW-1	
POSITION	RANGE AM
1 -	.54 TO 1.62 MC. AM
2 -	1.62 TO 5 MC. AM
3 -	5 TO 15 MC. AM
4 -	15 TO 30 MC. AM
5 -	27 TO 55 MC. AM / FM
6 -	55 TO 108 MC. AM / FM

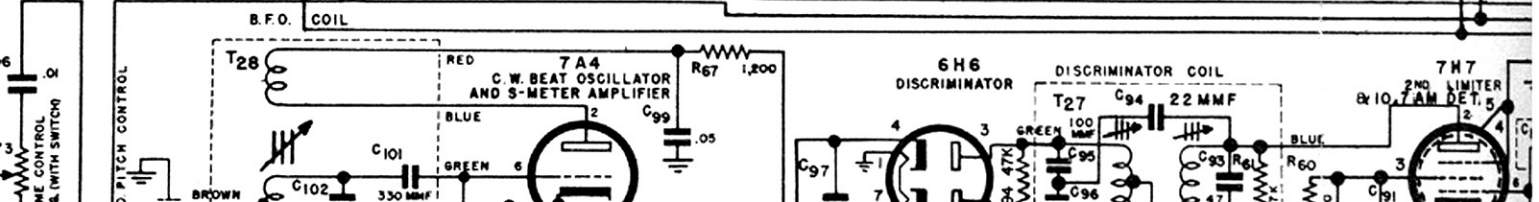
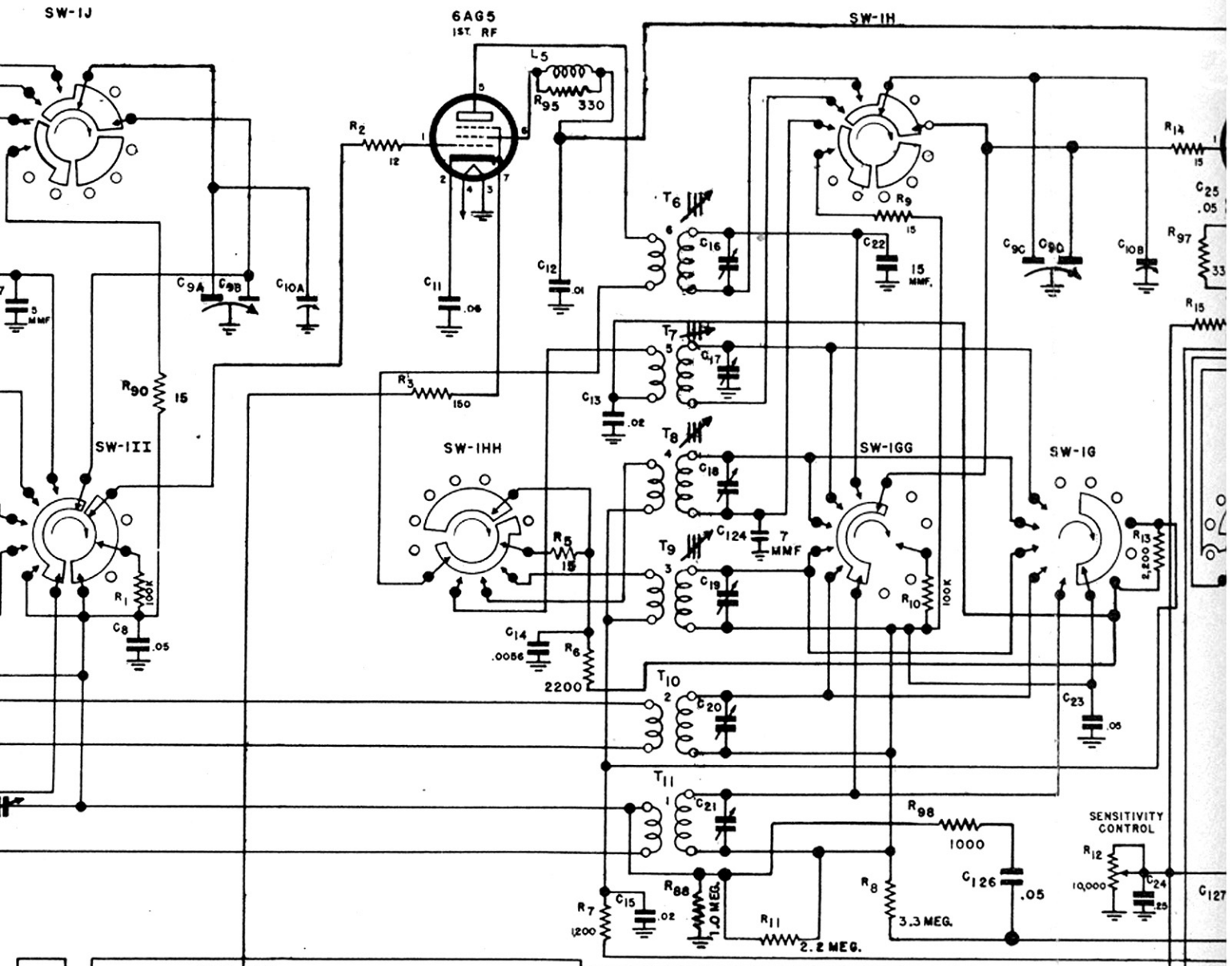
SWITCH SHOWN IN POSITION NO. 1

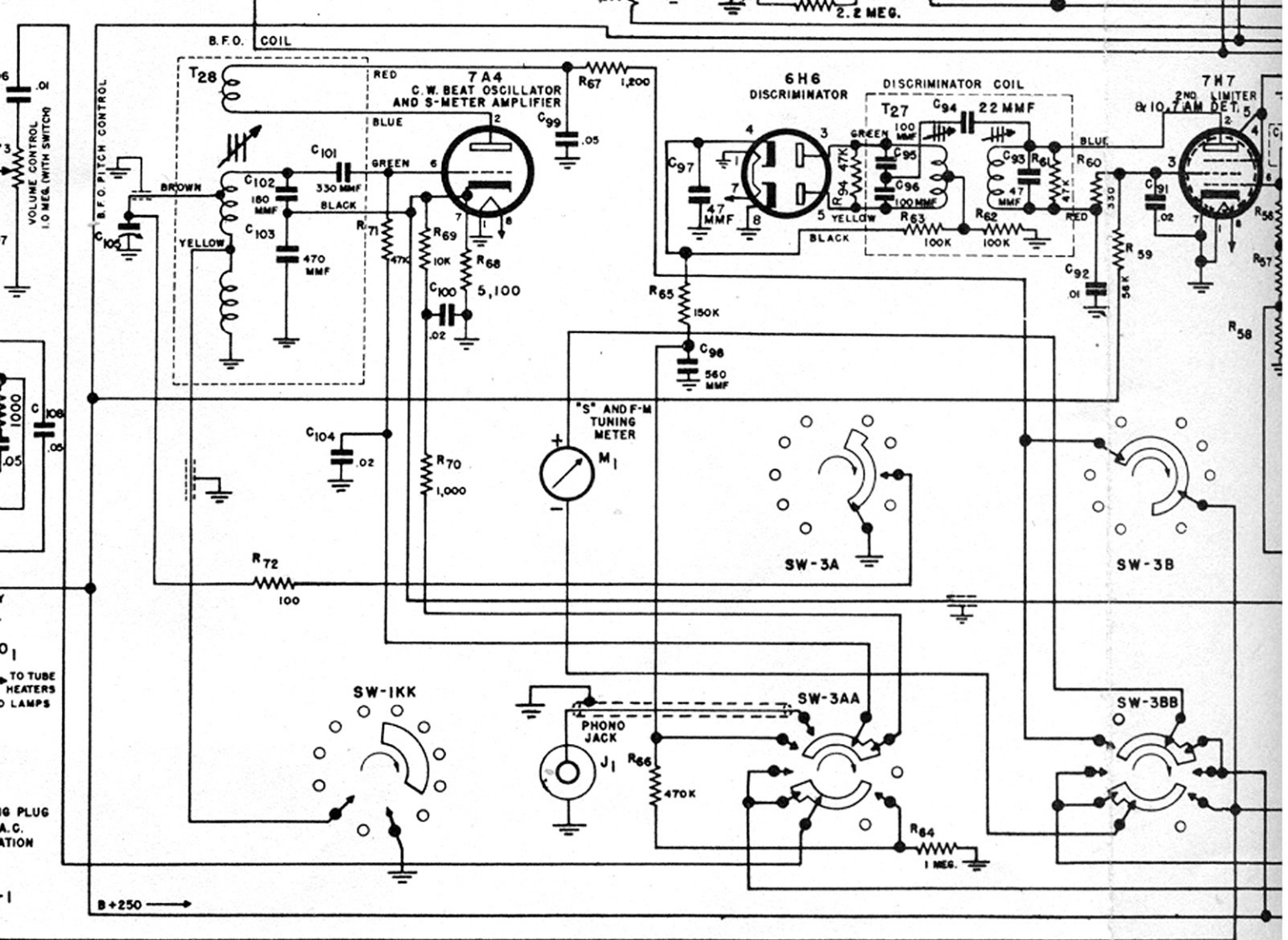




LOWER LEFT

LEFT MIDDLE UPPER



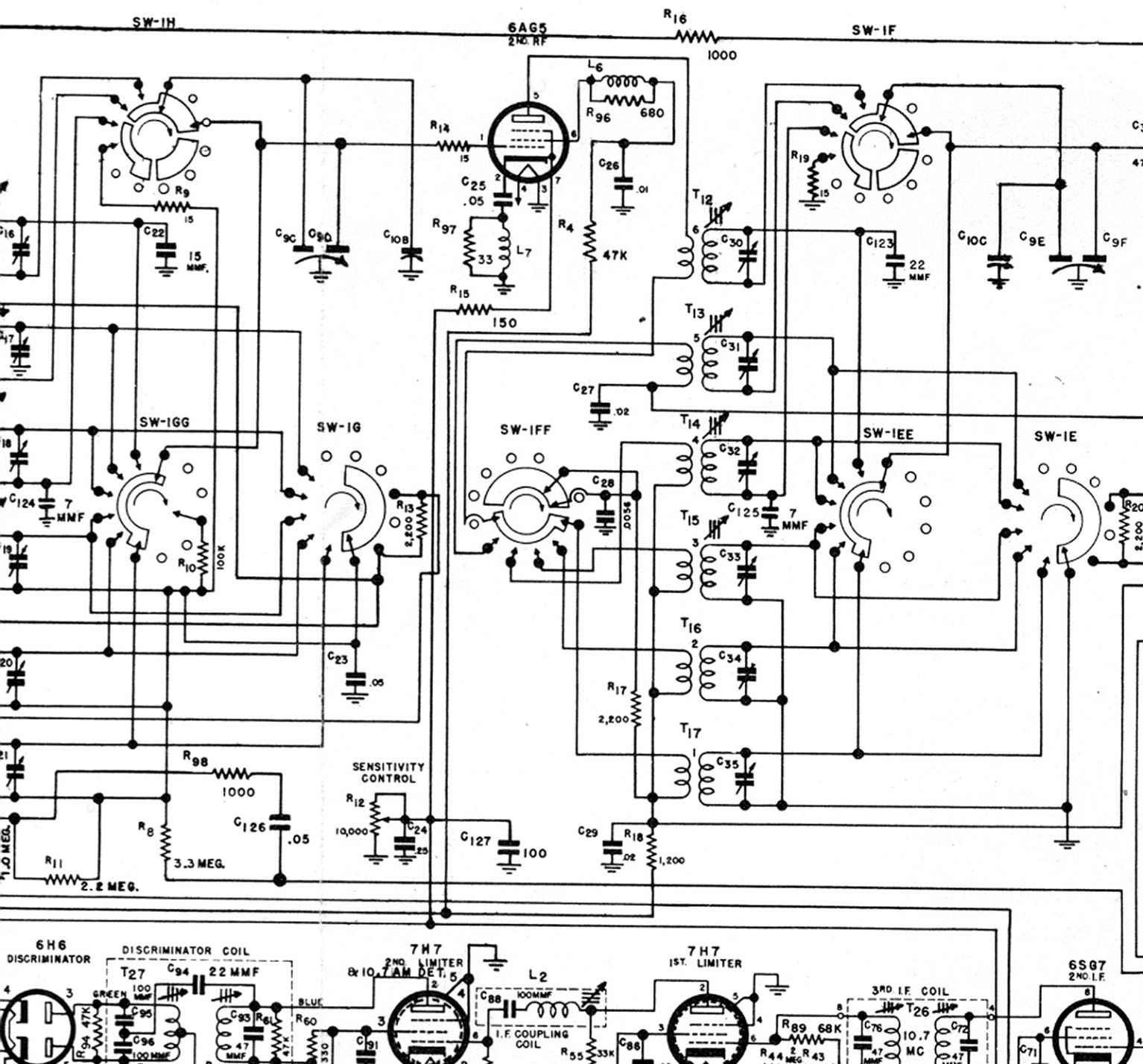


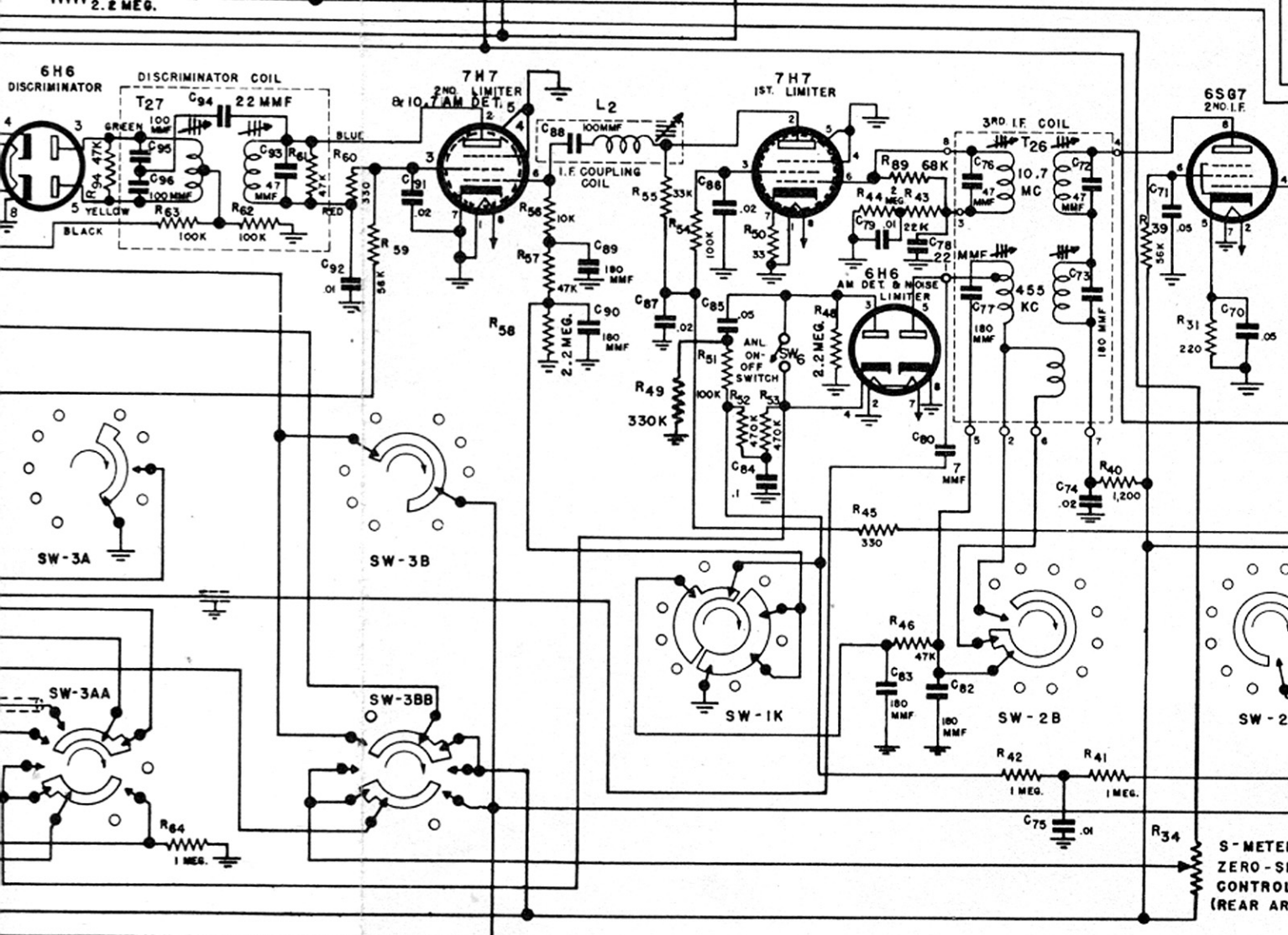
RECEPTION SWITCH SW-3	
1 -	CW
2 -	AM
3 -	FM
4 -	PHONO

SWITCH SHOWN IN CW POSITION

Figure 19. Model SX-42 Schematic

RIGHT MIDDLE UPPER



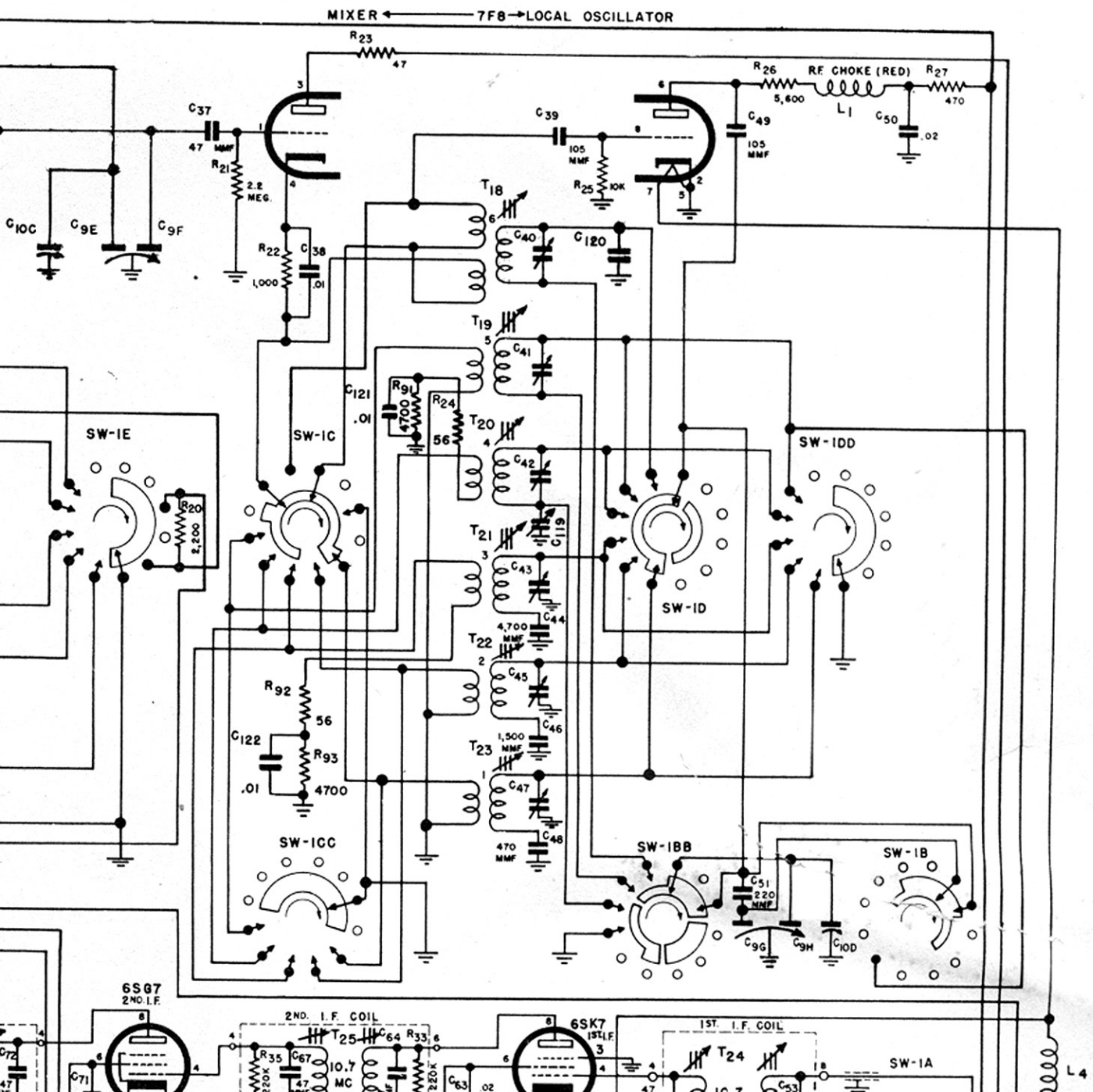


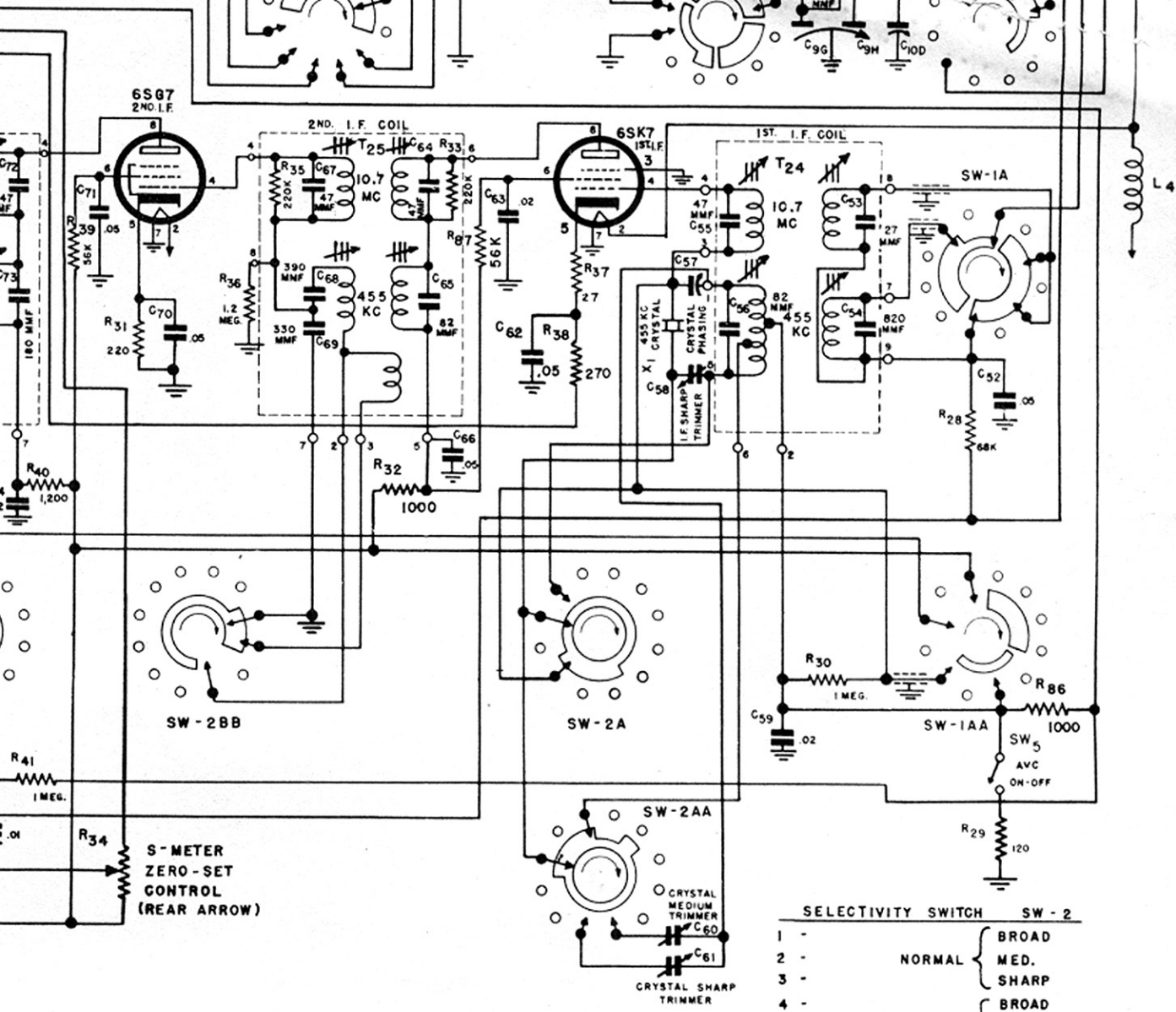
RECEPTION SWITCH SW - 3

- 1 - CW
- 2 - AM
- 3 - FM
- 4 - PHONO

SWITCH SHOWN IN CW POSITION

Model SX-42 Schematic Wiring Diagram





SELECTIVITY SWITCH SW - 2

1 -		BROAD
2 -	NORMAL	MED.
3 -		SHARP
4 -		BROAD
5 -	CRYSTAL	MED.
6 -		SHARP

SWITCH SHOWN IN NORMAL BROAD POSITION

89 D 210 - D

LOWER RIGHT

K4XL's **BAMA**

This manual is provided **FREE OF CHARGE** from the “BoatAnchor Manual Archive” as a service to the Boatanchor community.

It was uploaded by someone who wanted to help you repair and maintain your equipment.

If you paid anyone other than BAMA for this manual, you paid someone who is making a profit from the free labor of others without asking their permission.

You may pass on copies of this manual to anyone who needs it. But do it without charge.

Thousands of files are available without charge from BAMA. Visit us at <http://bama.sbc.edu>